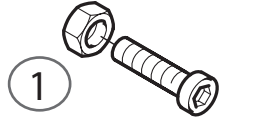
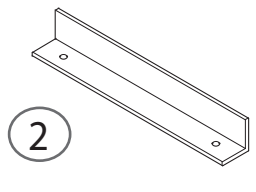





# Audurra Sanding Solution Cart



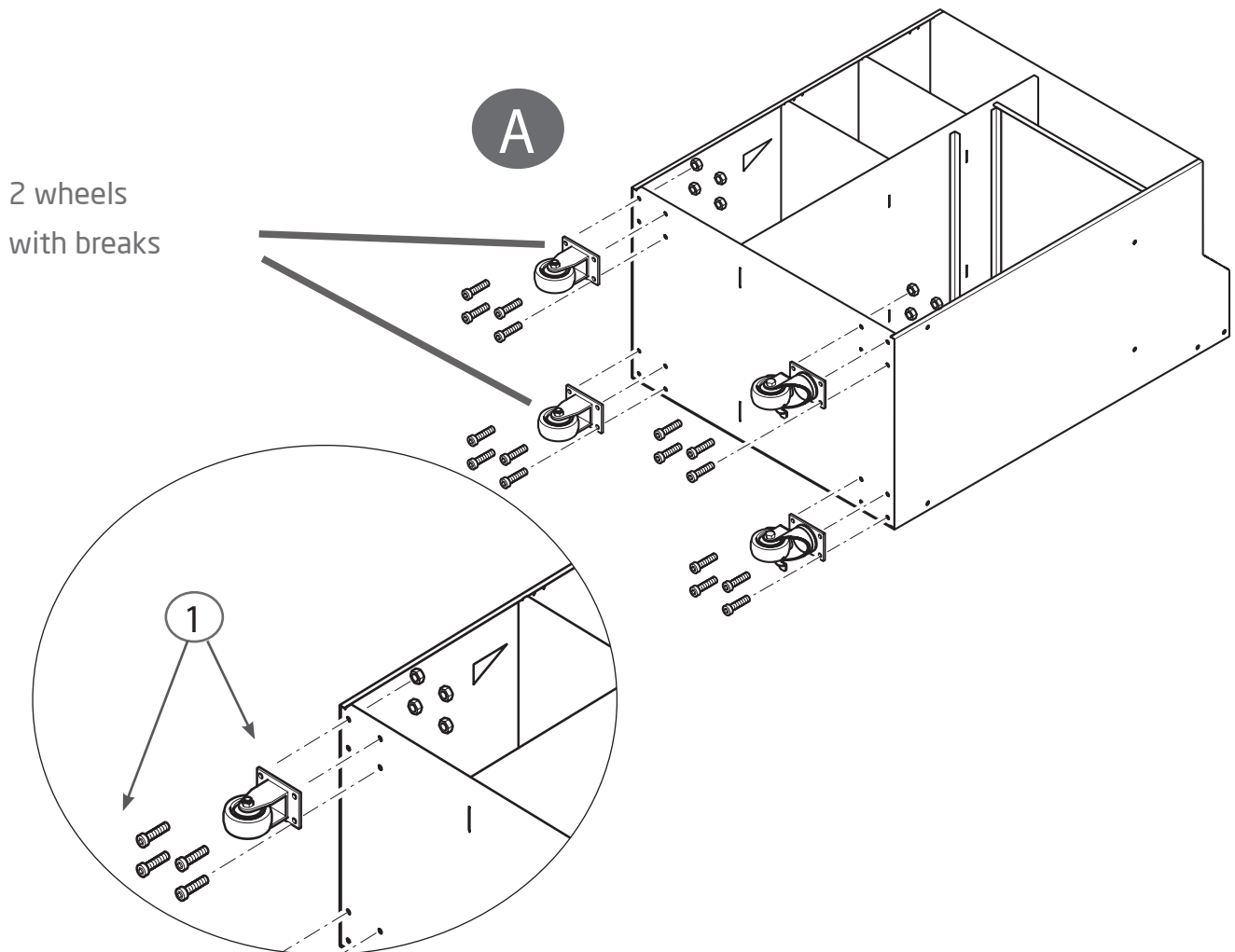
# Audurra Sanding Solution Cart

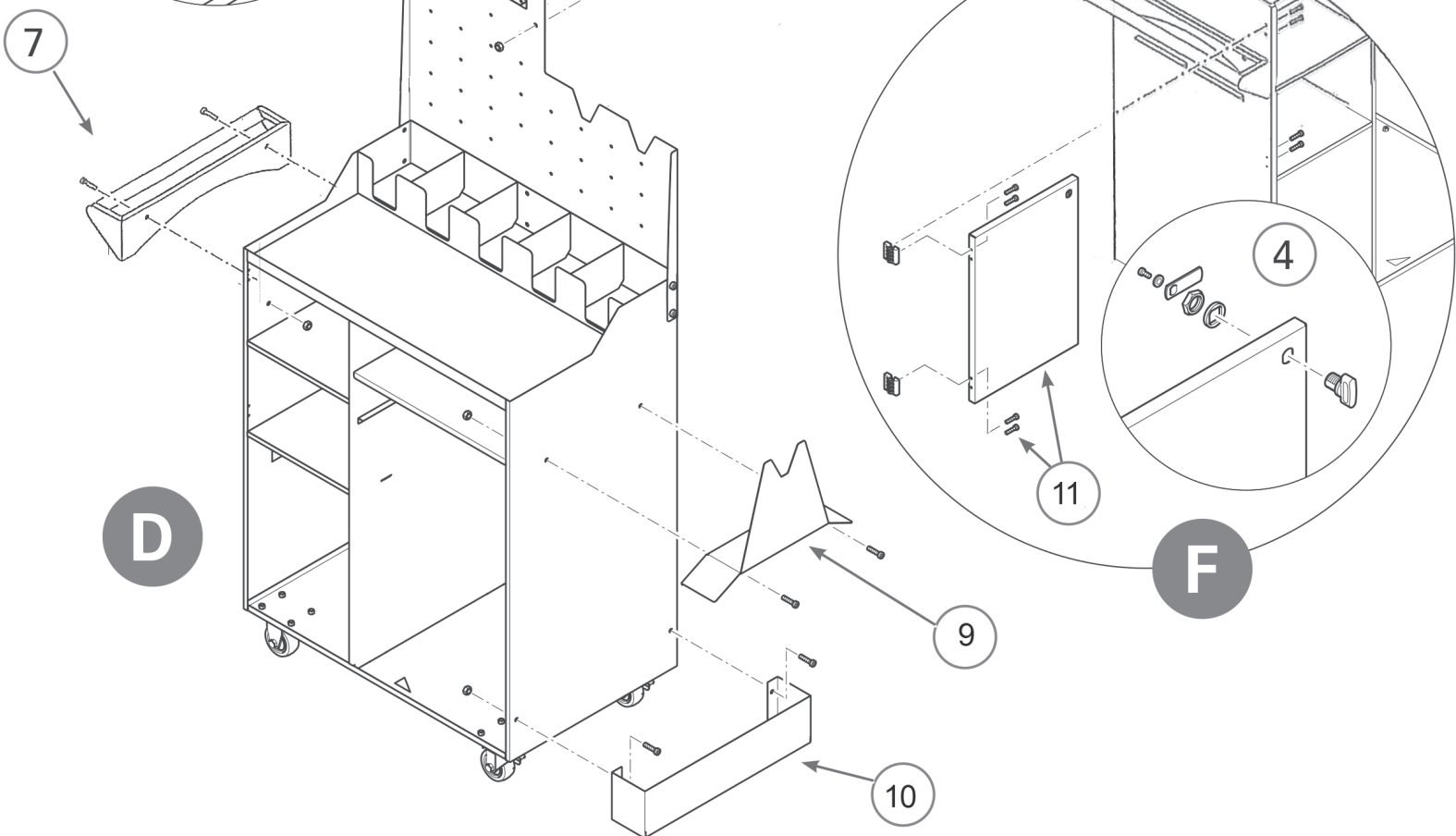
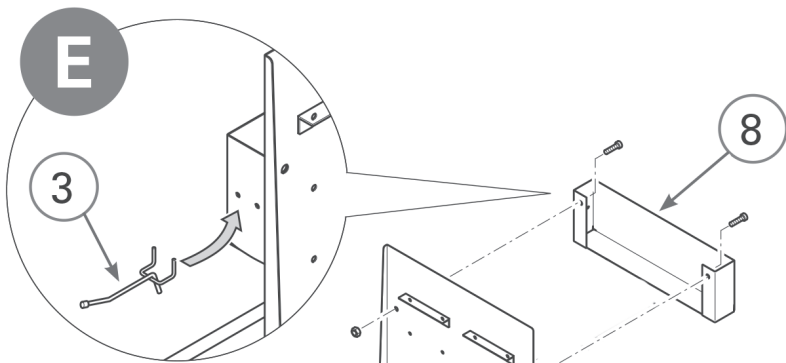
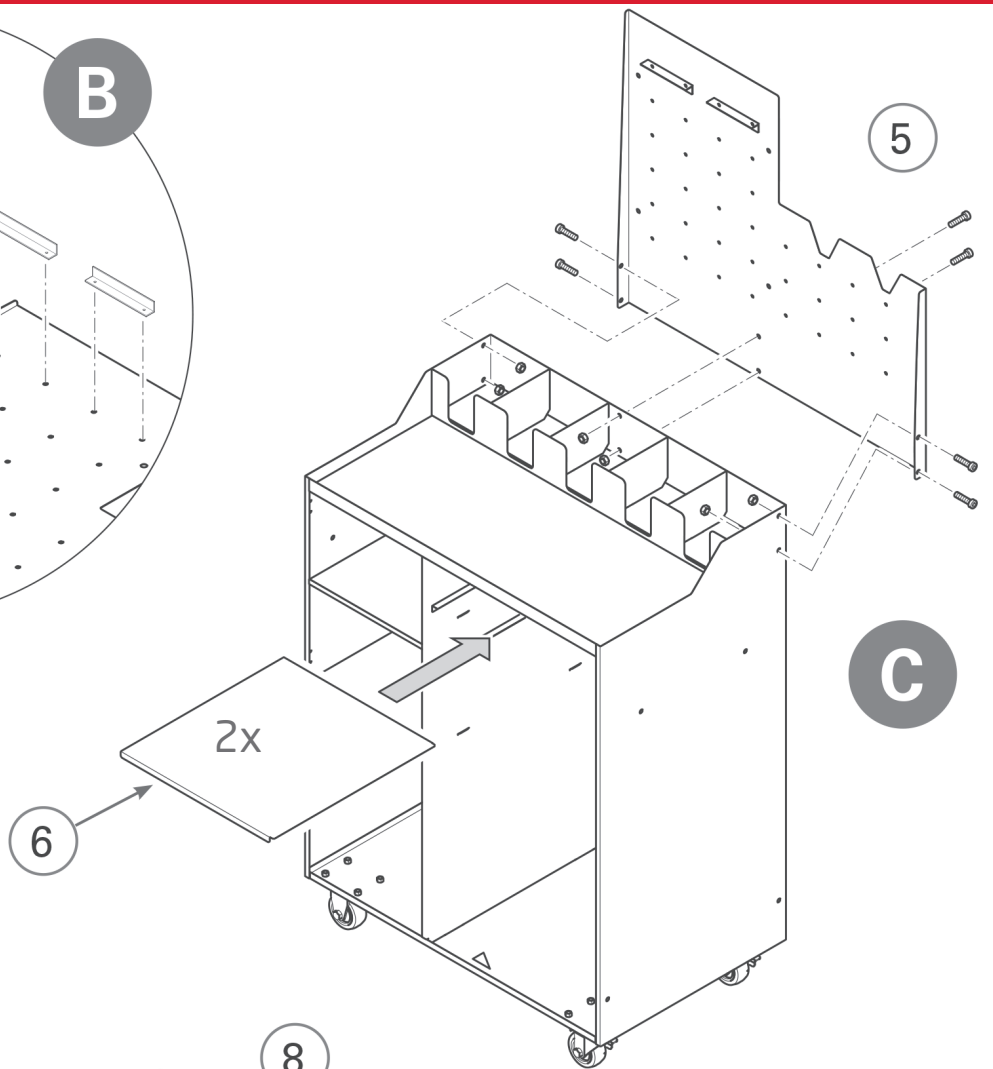
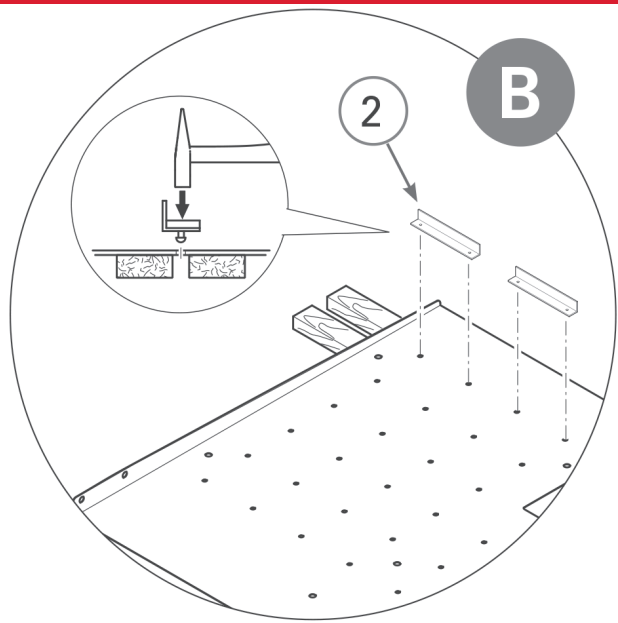
KIT	
	TCE M8x10 x 32 pcs.
	x 5 pcs.
	TCE M4x6 x 8 pcs.

TOOLS	
	CH 13/22
	CH 3/6
	
	

LETTERS - ASSEMBLY SEQUENCE

NUMBERS - KIT





Article-No.	Description	Colour	Packaging
D15379363	Audurra Sanding Solution Cart	RAL7016 anthracite-gray	1 piece
D15379364	Audurra CT-Adapter for Sanding Solution Cart	Zinc-coated	1 piece



For more information  
scan the QR code



or visit:  
[refinish.axalta.eu/audurra](https://refinish.axalta.eu/audurra)

Axalta Coating Systems  
Germany GmbH & Co. KG  
Christbusch 25  
D-42285 Wuppertal

[www.axalta.com](https://www.axalta.com)